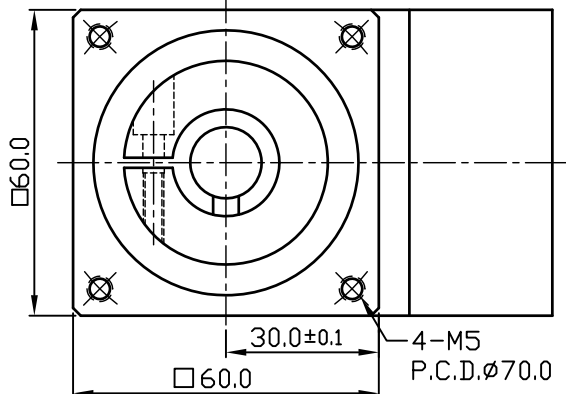
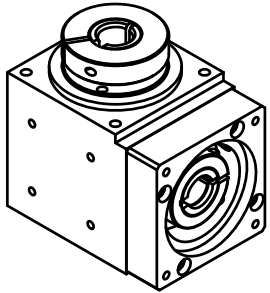
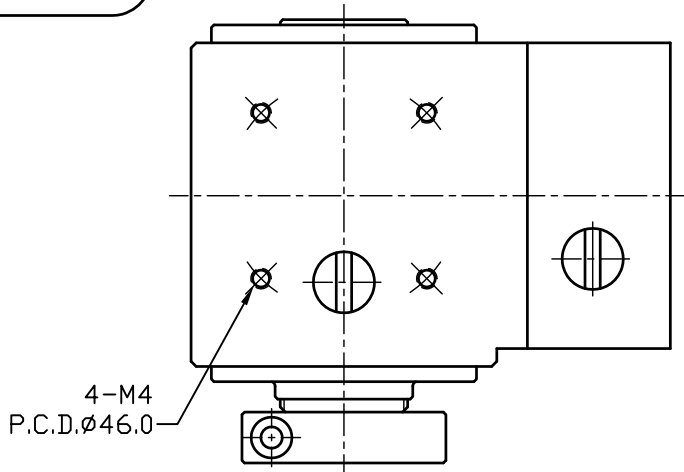


RAH-060-005



GEAR HEAD
INLET DIMENSION
(FOR MOTOR OUTLET)

