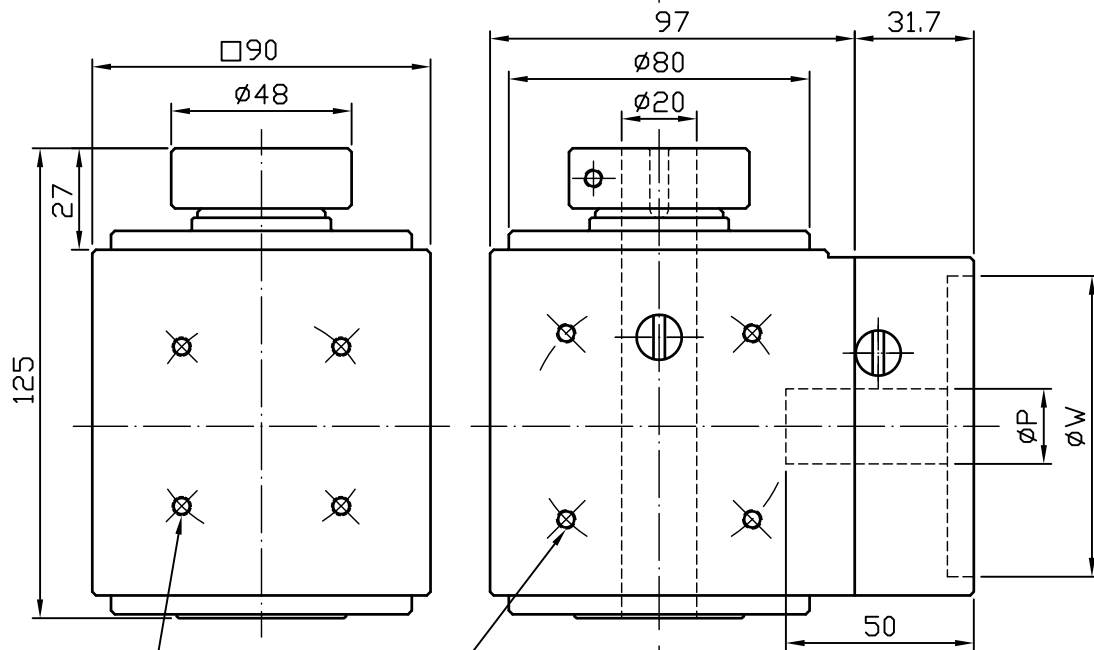
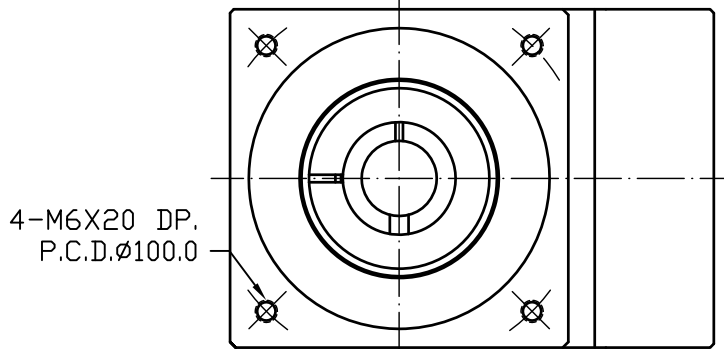
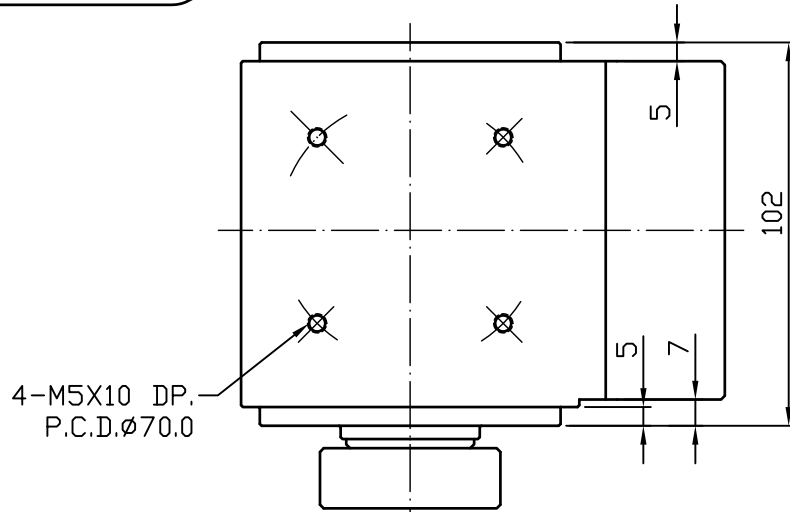


# RAH-090-002



GEAR HEAD  
INLET DIMENSION  
(FOR MOTOR OUTLET)

